

CMBE

CMBE TWIN



Further product documentation: **CMBE**

net.grundfos.com/qr/i/98456935

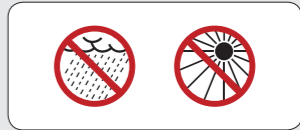
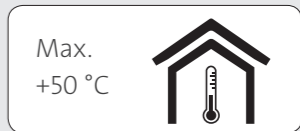
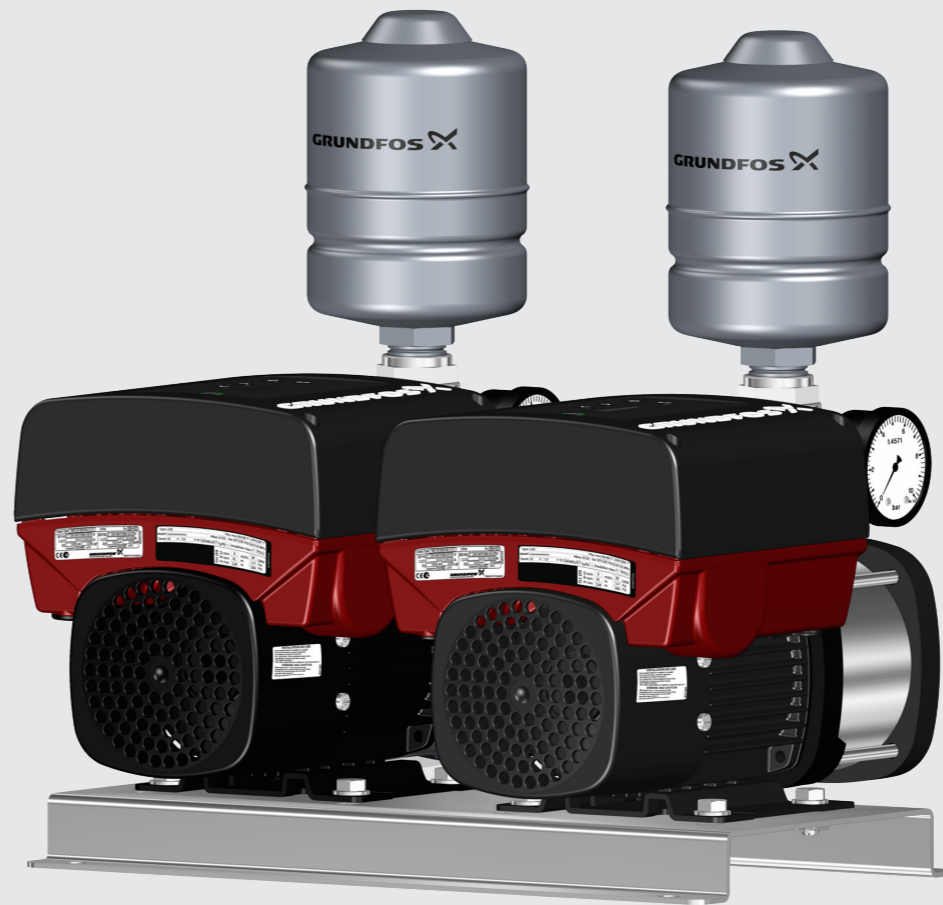
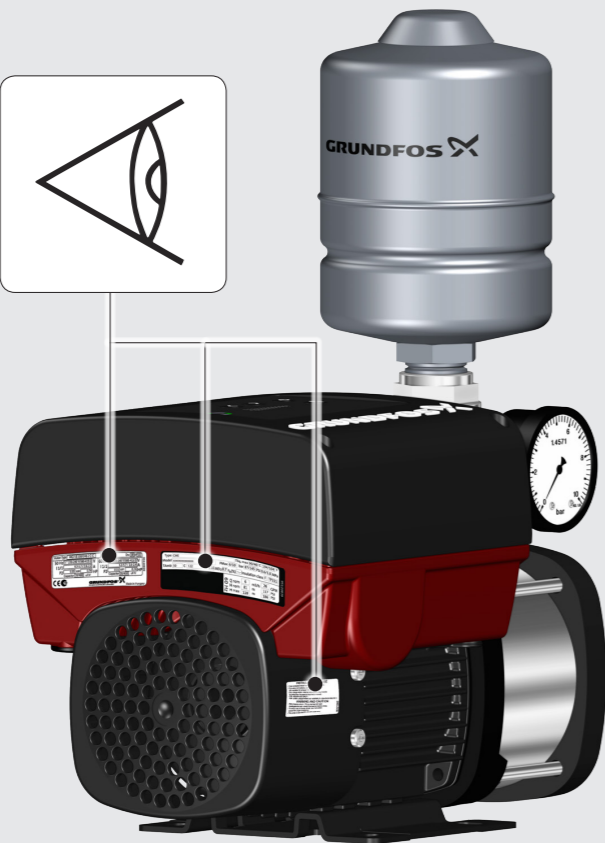
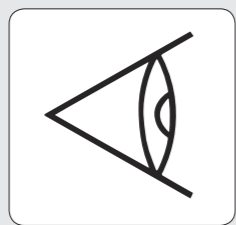


Further product documentation: **CMBE TWIN**

net.grundfos.com/qr/i/99352825

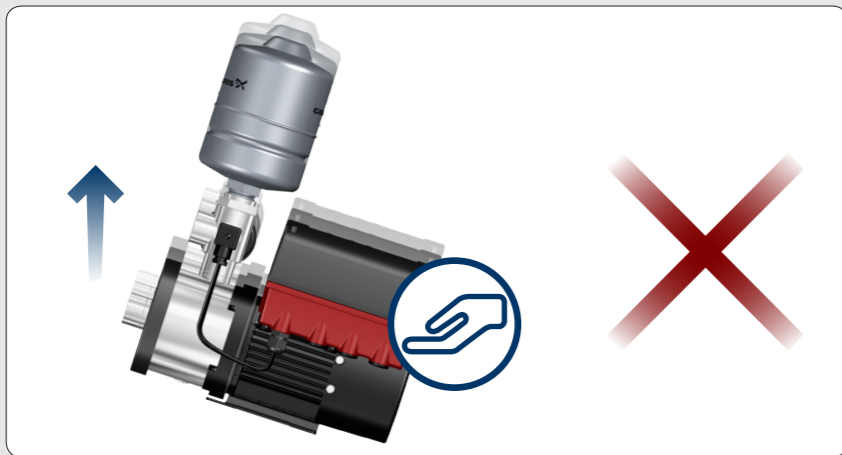
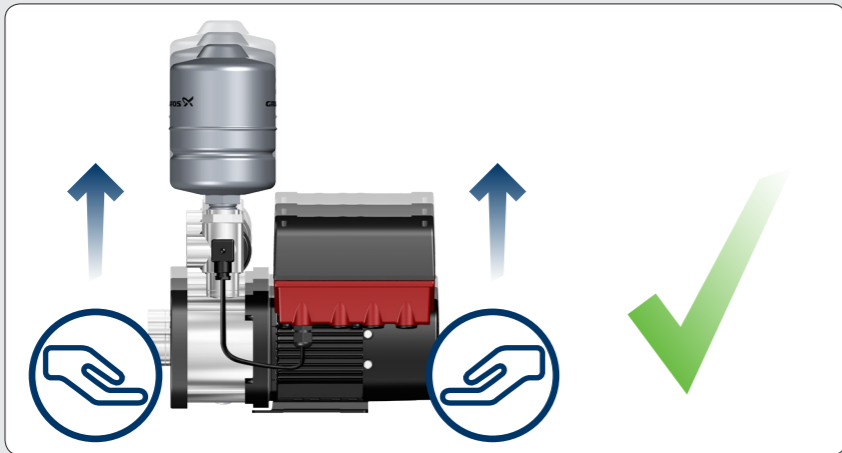


1





i

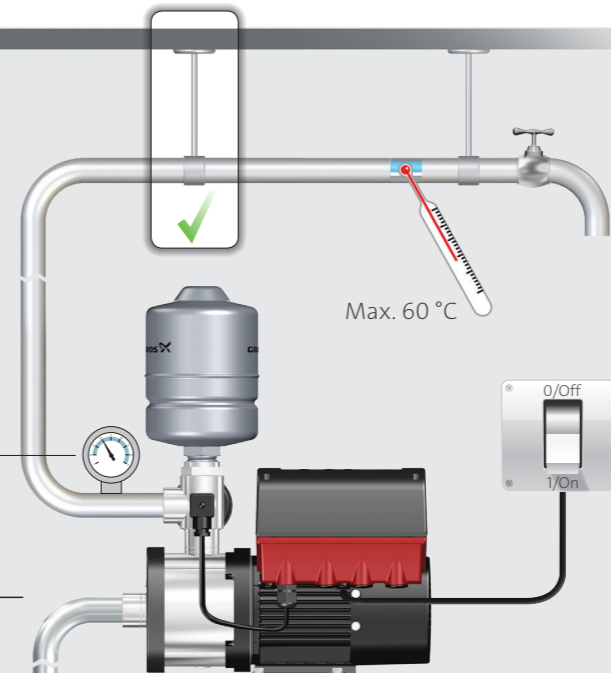


i

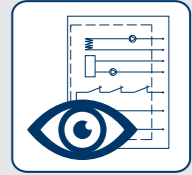
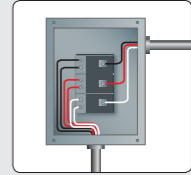


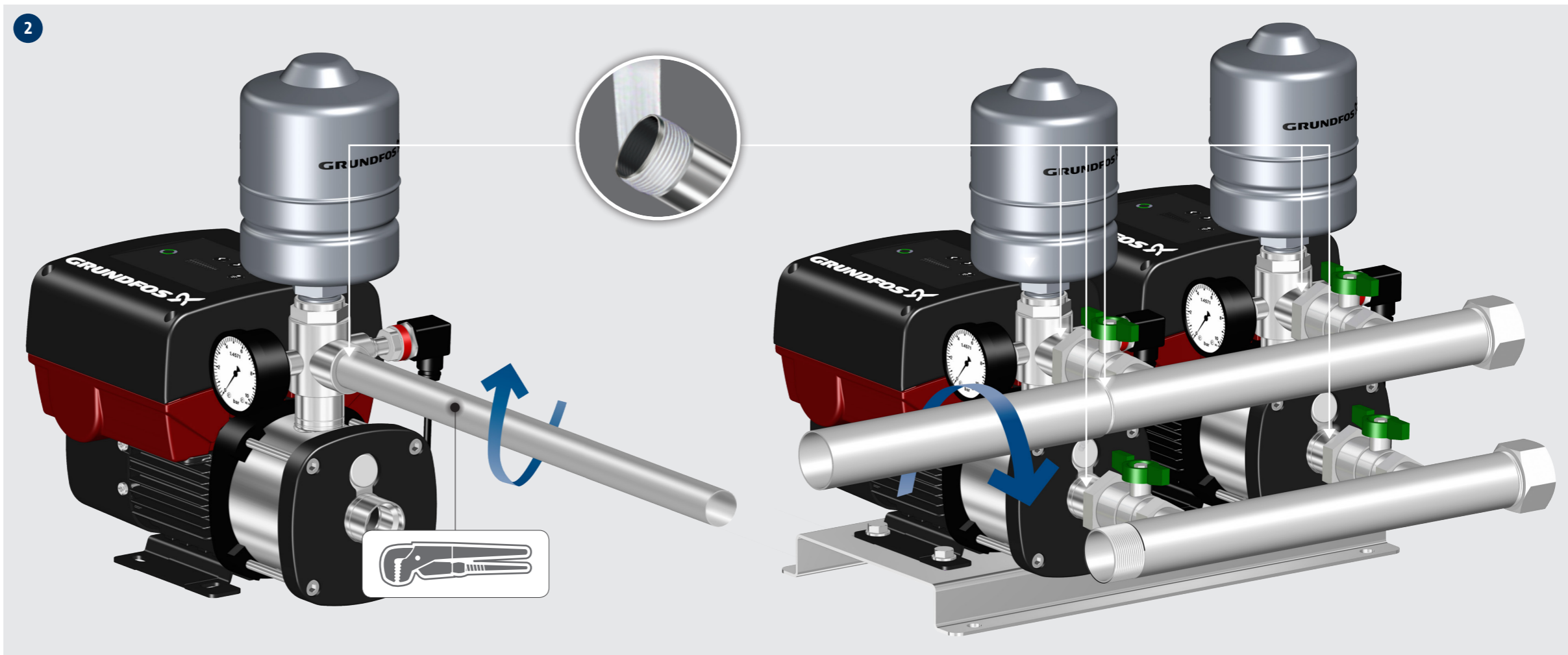
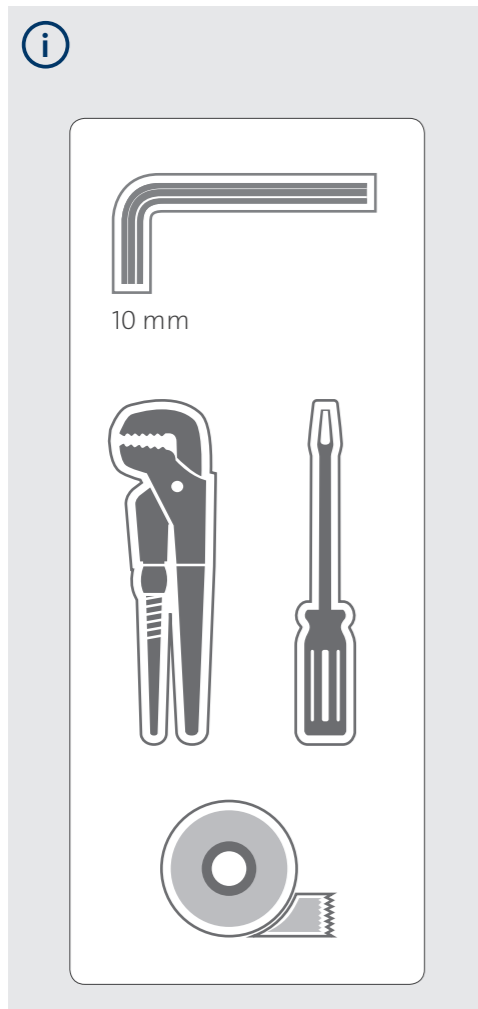
Max. 10 bar

Max. 1 m



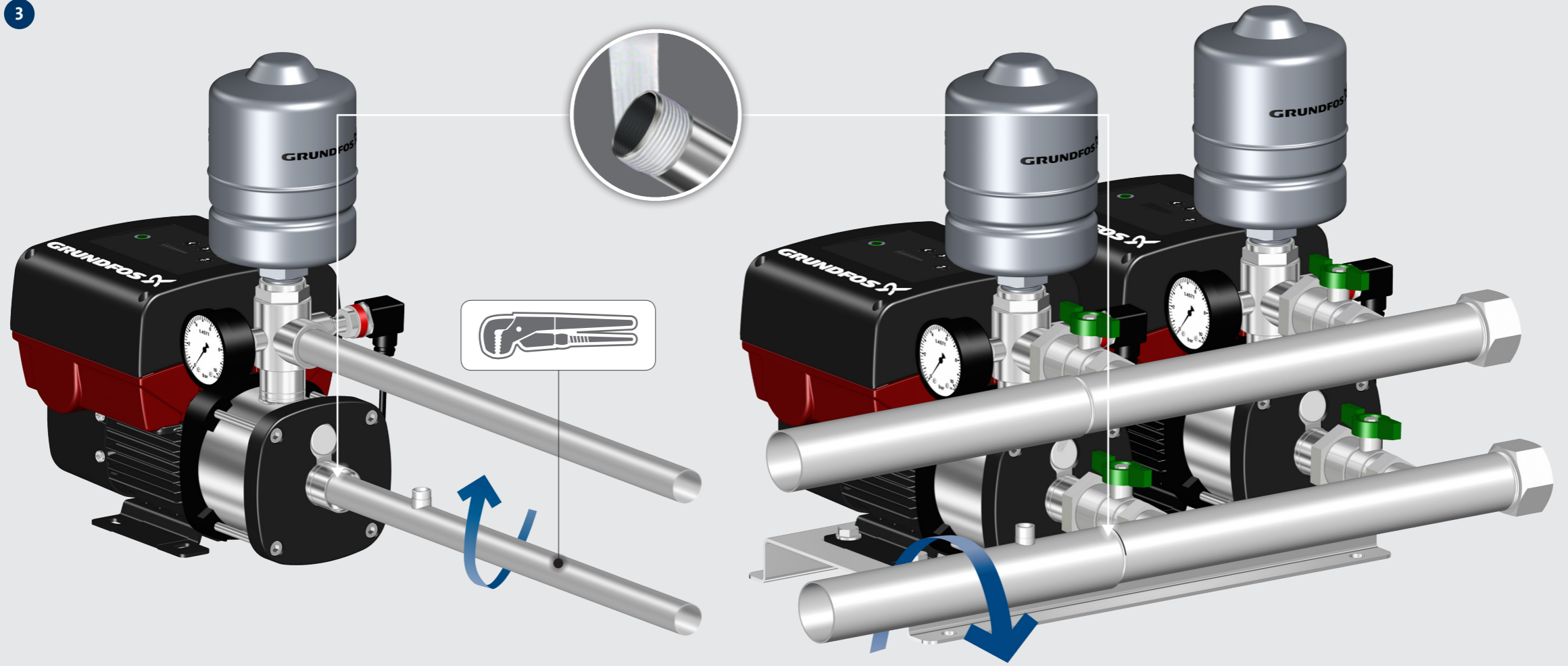
1 X 200-240 V,
50/60 Hz



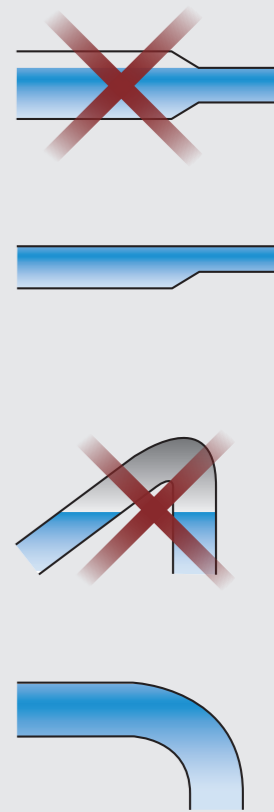


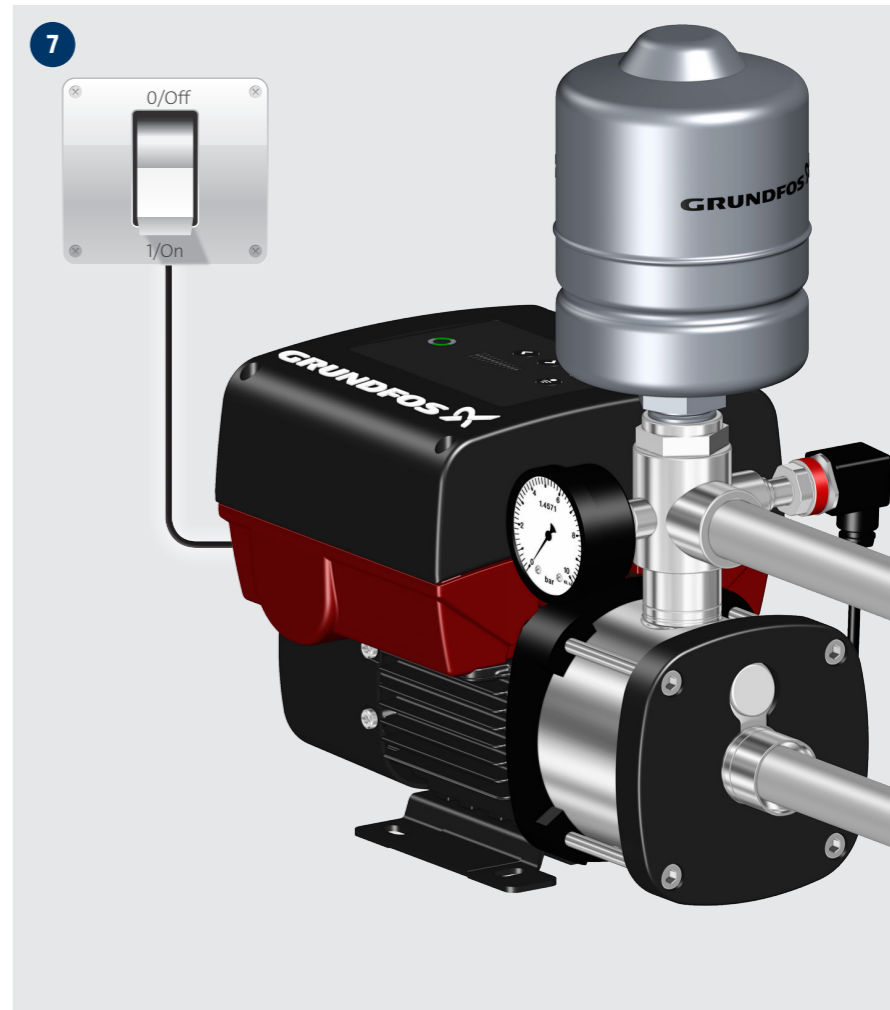
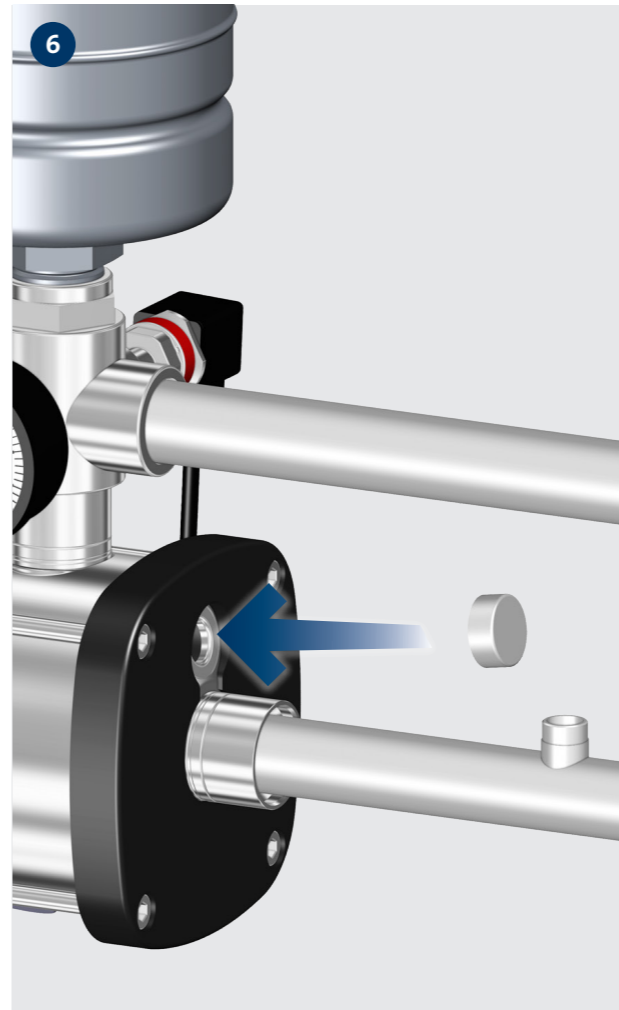
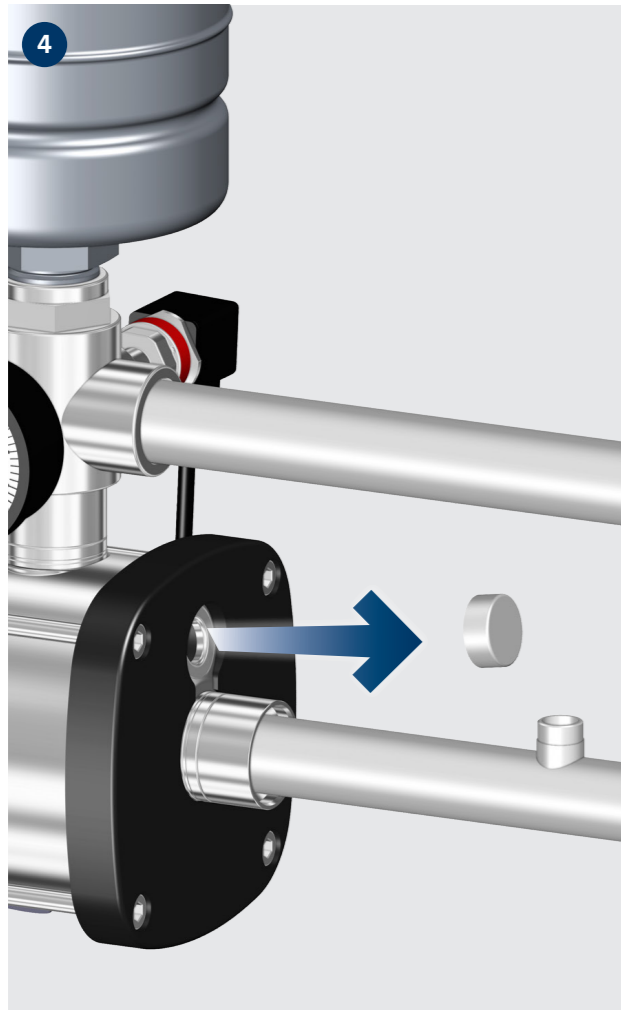


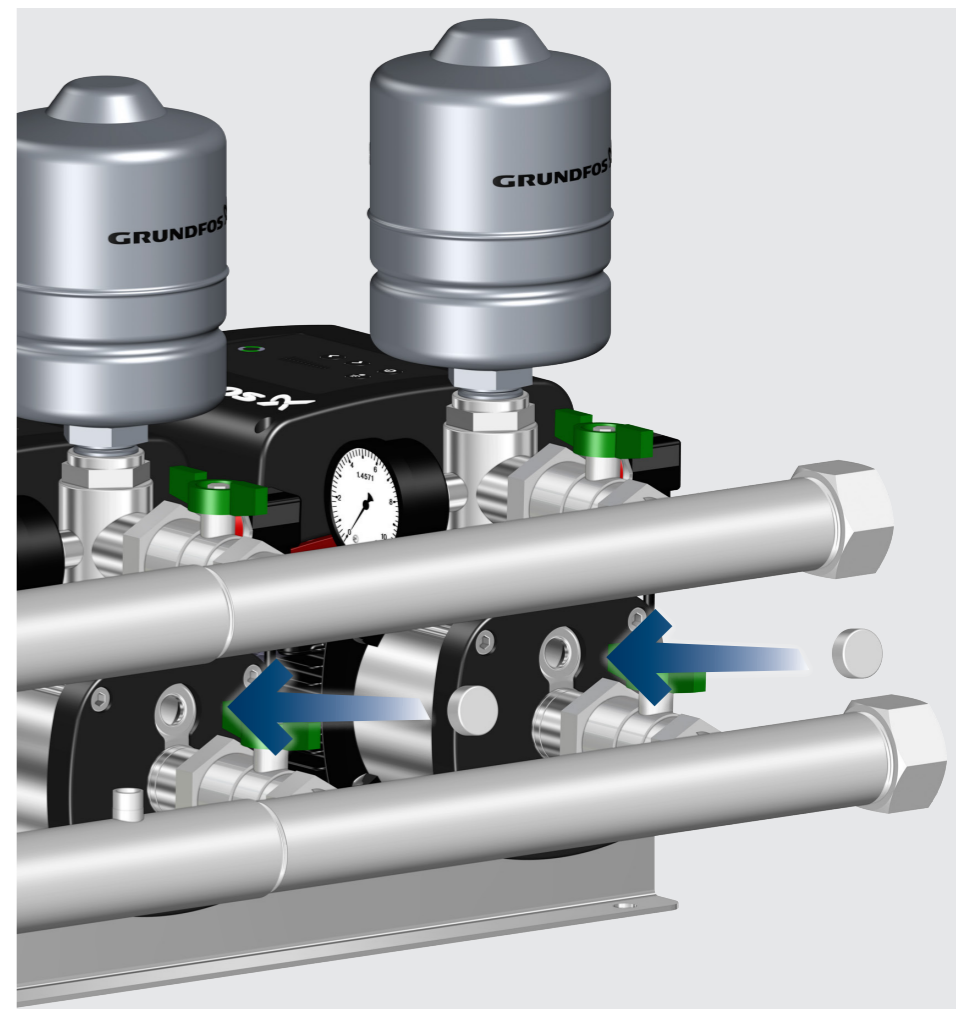
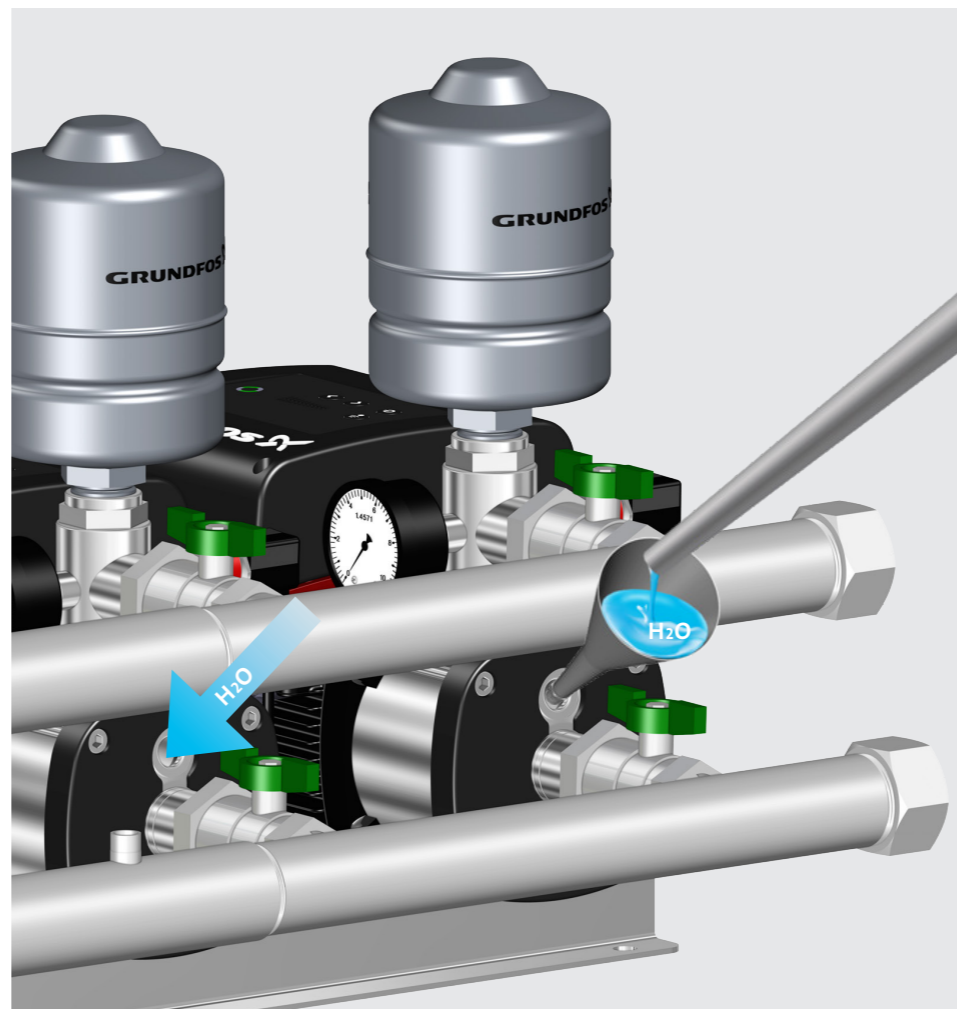
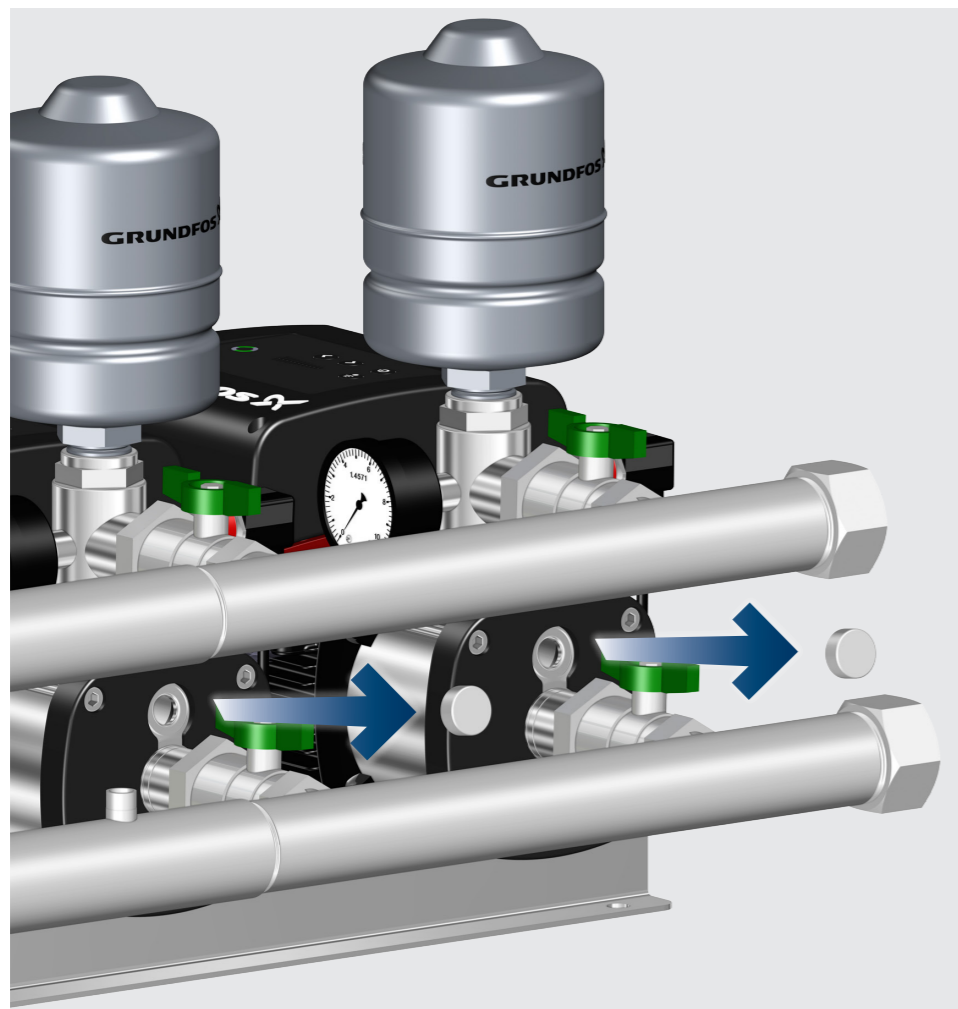
3

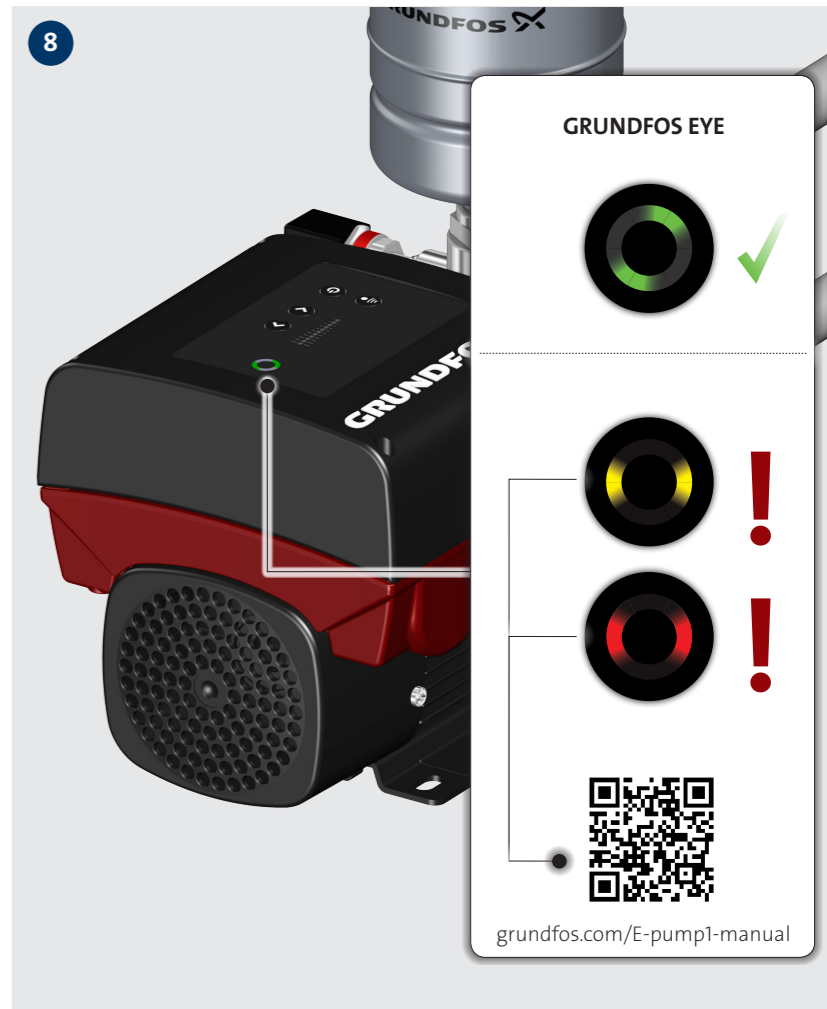
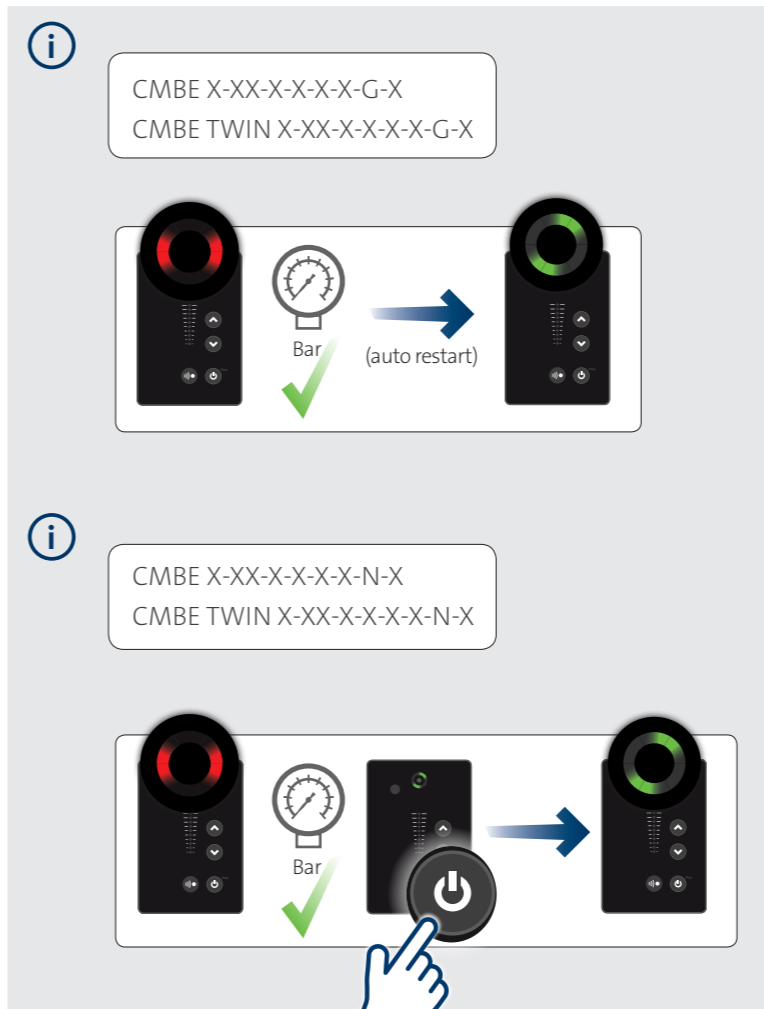
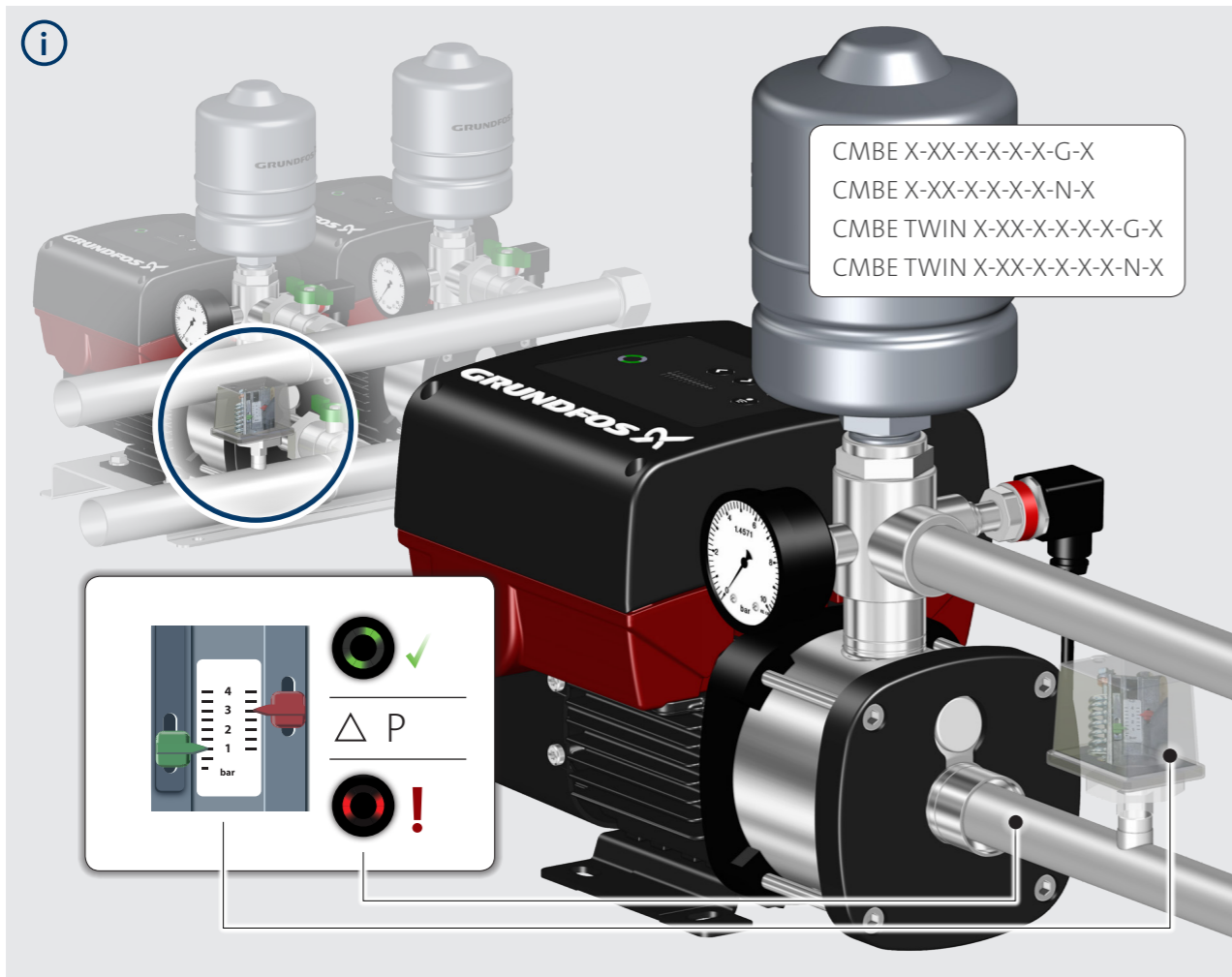


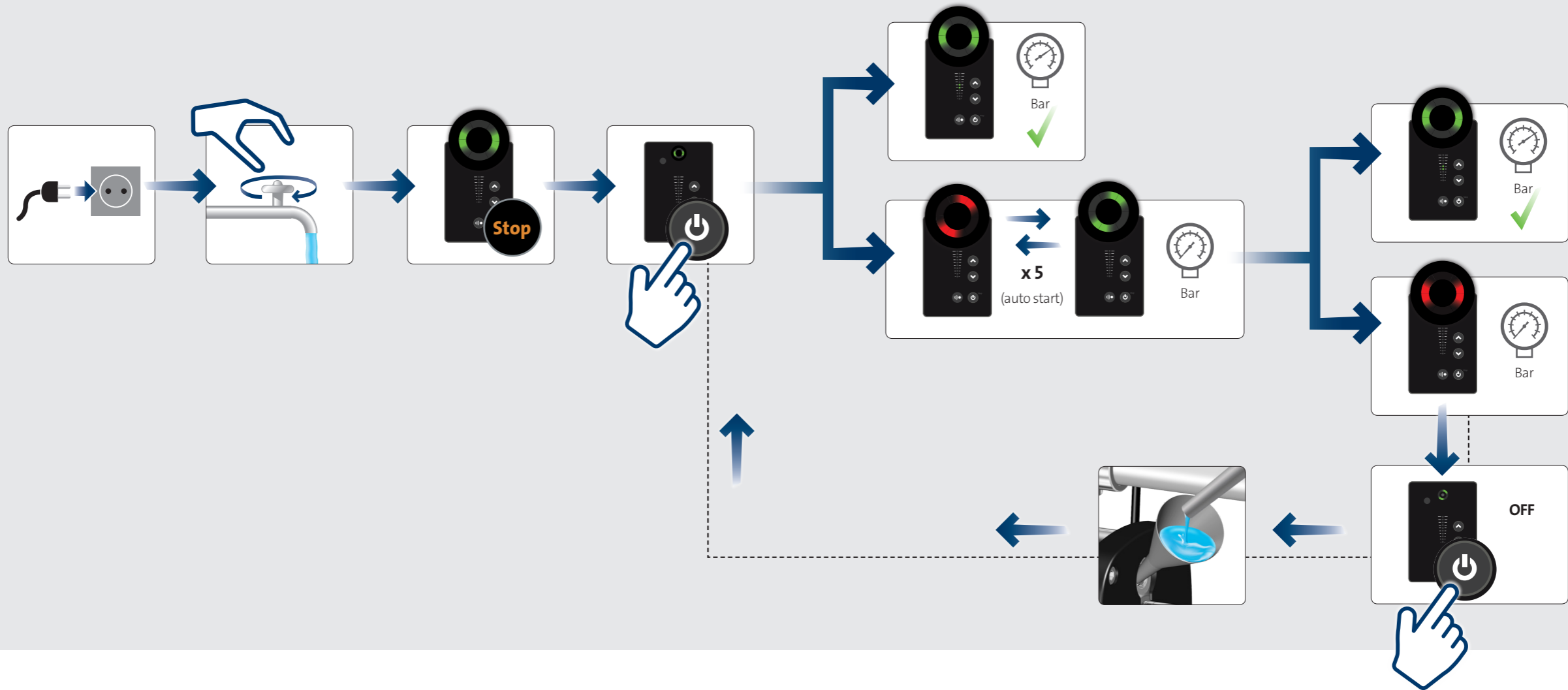
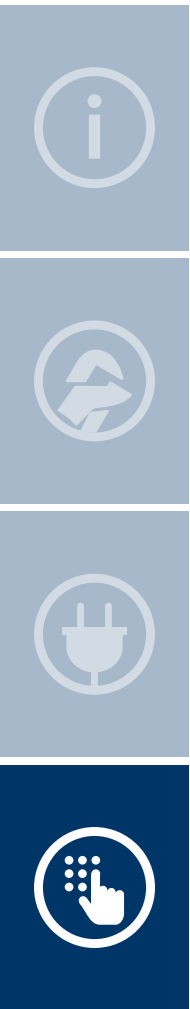
i





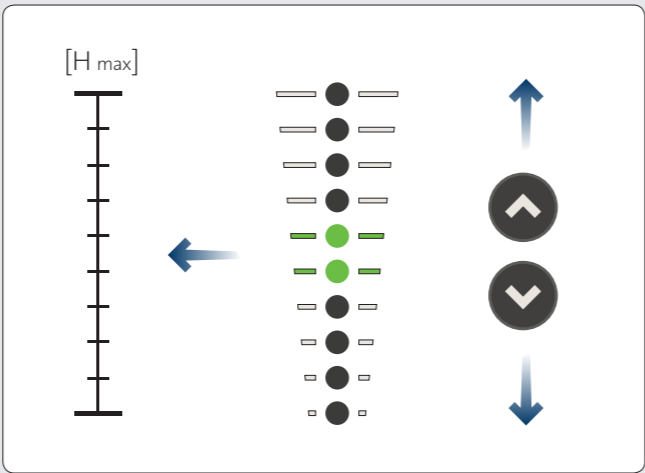








Setpoint settings



	 [bar]				
 [bar]	CMBE TWIN 3-30 [bar]	CMBE TWIN 3-62 [bar]	CMBE TWIN 3-93 [bar]	CMBE TWIN 5-31 [bar]	CMBE TWIN 5-62 [bar]
0	0-3 bar	0-6 bar	0-9 bar	0-3 bar	0-6 bar
1	1-4 bar	1-7 bar	1-10 bar	1-4 bar	1-7 bar
2	2-5 bar	2-8 bar	2-10 bar	2-5 bar	2-8 bar
3	3-6 bar	3-9 bar	3-10 bar	3-6 bar	3-9 bar
4	4-7 bar	4-10 bar	4-10 bar	4-7 bar	4-10 bar
5	5-8 bar	5-10 bar	5-10 bar	5-8 bar	5-10 bar
6	6-9 bar	6-10 bar	6-10 bar	6-9 bar	6-10 bar
7	7-10 bar	7-10 bar	7-10 bar	7-10 bar	7-10 bar
8	8-10 bar	8-10 bar	8-10 bar	8-10 bar	8-10 bar
9	9-10 bar	9-10 bar	9-10 bar	9-10 bar	9-10 bar

be think innovate

98388184 0618

ECM: 1236995

GRUNDFOS 

The name Grundfos, the Grundfos logo, and be think innovate are registered trademarks owned by Grundfos Holding A/S or Grundfos A/S, Denmark. All rights reserved worldwide.