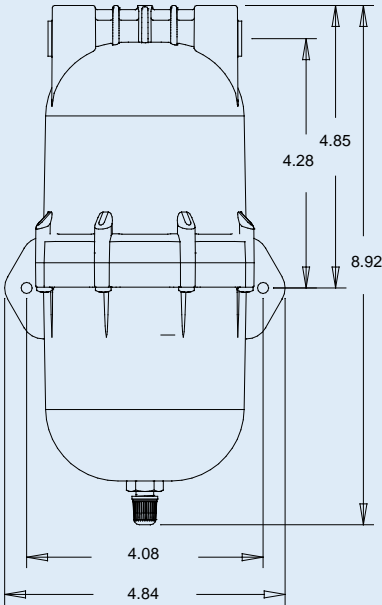


Aquatec Accumulator Tank / Pulsation Dampener

Model Numbers:

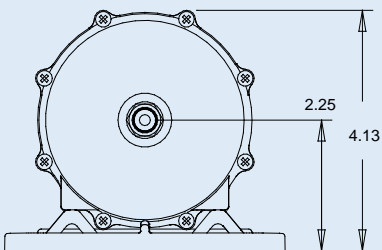
ACT-820-JG (Configured with 3/8" John Guest Ports)

ACT-820-NPT (Configured with 3/8" Female NPT Ports)



Features and Benefits:

- Convenient NPT or John Guest porting options
- Compact Design fits in small spaces
- Dampens pump switch cycling/pulsations
- Provides consistent water pressure
- Limits harmful spikes/water hammer
- Minimizes hydraulic noise
- NSF food grade materials
- Easy to install and maintain
- Mounts in any position with included bracket



WEIGHT: 1 lb.