

HARMSCO®

HSB Single Bag Housings

Industrial Grade

Designed with Snap Fit “V” Ring Bag Seal to prevent by-pass.

- **HSB Series Bag Housings are designed for a variety of industrial filtration applications where clean effluent is critical. Manufactured to ASME design standards for durability and long equipment life.**

Features

- ▶ 304 stainless steel construction, standard
- ▶ 150 PSI (10.3 bar) pressure rating
- ▶ 316 stainless steel perforated basket, standard
- ▶ Built to ASME design standards
- ▶ Bead blast finish, standard
- ▶ Designed to accept standard #1 and #2 snap fit “V” ring or steel ring bags
- ▶ Easy-access eye nuts/swing bolts
- ▶ Multiple side and bottom outlet configurations - 2” FNPT
- ▶ Adjustable stainless steel tripod mounting legs

Options:

ASME Code U-stamp
 Electropolished
 316 stainless steel construction



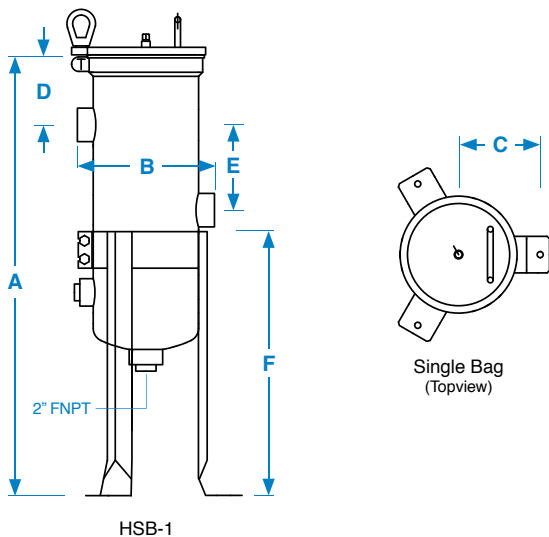
HSB-1

HSB-2

Applications

- | | |
|----------------------------|------------------------------------|
| ▶ Paint | ▶ Solvents |
| ▶ Process Water Filtration | ▶ Hydraulic Fluids |
| ▶ Plating Solutions | ▶ Cutting Fluids |
| ▶ Coatings | ▶ Ground Water Remediation |
| ▶ Lubricants | ▶ Industrial Waste Water Treatment |

Harmsco® HSB Single Bag Housings



Ordering Information

Filter Model	Max Flow Rate* (GPM)	Max Flow Rate* (LPM)	Max Flow Rate* (M ³ /Hr)	A Filter Height	B Width	C Radius	D Inlet	E Outlet	F Leg Adjust.	I/O Size	I/O Type	Bag Size	Basket Depth
HSB-1	90	341	20	36-1/4"	11-3/4"	6-11/16"	5-3/4"	7"	21-3/4"	2"	FNPT	#1	15"
HSB-2	200	757	45	47"	11-3/4"	6-11/16"	5-3/4"	7"	21-3/4"	2"	FNPT	#2	30"

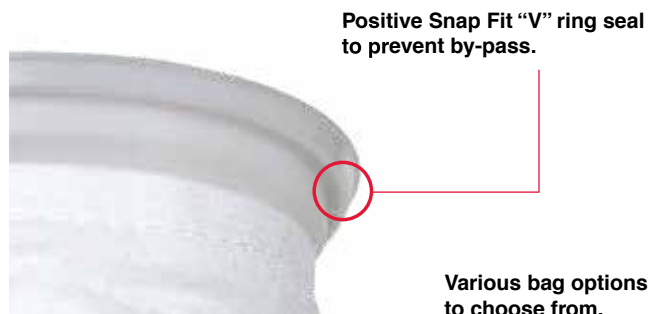
*Flow rates shown above are for guidelines only. Actual flow rates are based on bag type, micron rating, viscosity, solids content and a number of other factors. For complete flow and pressure drop information please refer to your bag manufacture guidelines.

** Leg adjustment from bottom 2" FNPT to floor, 0 - 11 inches.

Specifications

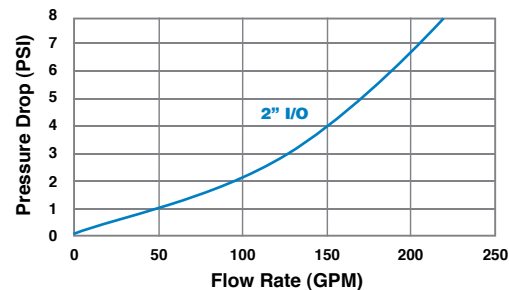
- ▶ **Finish** - bead blast
- ▶ **Inlet/Outlet** - 2" FNPT
- ▶ **Construction** - 304 stainless steel; built to ASME design standards
- ▶ **O-ring Housing Seal** - Buna (standard)
- ▶ **Pressure** - up to 150 PSI (10.3 bar) max
- ▶ **Temperature** - up to 250°F (121°C) (filter housing only)

Snap Fit "V" Style Filter Bag



Pressure Drop

Based on 2" inlet/outlet housing, without bag.



Note: This publication is to be used as a guide. The data within has been obtained from many sources and is considered to be accurate. Harmsco does not assume liability for the accuracy and/or completeness of this data. Changes to the data can be made without notification. Temperature, Pressure, Flow Rates, Differential Pressures, Chemical Combinations and other unknown factors can affect performance in unknown ways. **Limited Warranty:** Harmsco warrants their products to be free of material and workmanship defects. Determination of suitability of Harmsco products for uses and applications contemplated by Buyer shall be the sole responsibility of Buyer. The end user/installer/buyer shall be liable for the product's performance and suitability regarding their specific intended applications. End users should perform their own tests to determine suitability for each application.