

HARMSCO®

HIF Up-Flow Cartridge Housings

Commercial/Industrial

Up-Flow Filtration

A design so superior it's patented.

- This product is designed with a patented Up-flow technology which prevents the accumulation of air inside the filter housing keeping the filter operating at 100%.



Certified to
ANSI-NSF 61

Features

- ▶ 304 stainless steel construction, standard
- ▶ Electropolished finish, standard
- ▶ 150 psi (10.3 bar) pressure rating
- ▶ Flow Rates up to 800 gpm
- ▶ All filter housings hydrostatically tested
- ▶ Easy cartridge installation, removal and service
- ▶ Individual studs for safe, secure lid closure
- ▶ Extensive choice of cartridge micron ratings and media

Options:

316 stainless steel
 Chemical resistant coating
 Flanged options on HIF 24, HIF 42,
 HIF 75 and HIF 100



Not shown:

HIF 14, HIF 16, HIF 21, HIF 42, HIF 75, HIF 100 and HIF 150FL

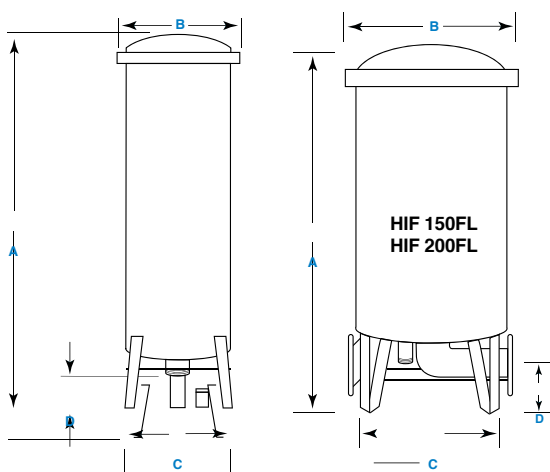
Applications

- ▶ Residential and Commercial Drinking Water
- ▶ Cooling Tower Filtration
- ▶ Process Water
- ▶ Reverse Osmosis Pre-filtration
- ▶ Ground Water Remediation
- ▶ Utility Water
- ▶ Industrial Waste Water Treatment
- ▶ Surface Water Treatment Rule (SWTR) II

Harmsco® HIF Up-Flow Cartridge Housings


Cartridge Cluster Filters

All cartridges in our 7, 14, 16, 21 and 24 models are arranged in a single "cartridge cluster," so all cartridges are removed at one time for easy cartridge cleaning or replacement.



Dimensions

Filter Model	A Height	B Diameter	C Leg Width	D Height	Service Ht.	Inlet/Outlet	Drain
HIF 7	19-1/2"	13"	13"	3-1/2"	35"	1-1/2" NPT	1" NPT
HIF 14	28"	13"	13"	3-1/2"	48"	1-1/2" NPT	1" NPT
HIF 16	28"	13"	13"	4"	48"	2" NPT	1" NPT
HIF 21	37"	13"	13"	3-1/2"	68"	1-1/2" NPT	1" NPT
HIF 24	37"	13"	13"	4"	68"	2" NPT	1" NPT
HIF 42	40"	18"	18"	5-3/8"	68"	2" NPT	1" NPT
HIF 75	42"	20"	20"	6-3/8"	70"	3" NPT	1-1/2" NPT
HIF 100	52"	20"	20"	5-7/8"	87"	3" NPT	1-1/2" NPT
HIF 150FL	48"	28"	28"	5-3/16"	76"	4" flange	1-1/2" NPT
HIF 200FL	58"	28"	28"	5-3/16"	93"	4" flange	1-1/2" NPT

Flanged options on HIF 24, HIF 42, HIF 75 and HIF 100

Ordering Information

Filter Model	HIF 7	HIF 14	HIF 16	HIF 21	HIF 24	HIF 42	HIF 75	HIF 100	HIF 150FL	HIF 200FL
Flow Rate* (GPM)	Up to 30	Up to 60	Up to 75	Up to 90	Up to 100	Up to 175	Up to 300	Up to 400	Up to 600	Up to 800
Flow Rate* (LPM)	Up to 113	Up to 226	Up to 284	Up to 340	Up to 397	Up to 662	Up to 1,135	Up to 1,514	Up to 2,271	Up to 3,028
Flow Rate* (M ³ /HR)	Up to 7	Up to 14	Up to 17	Up to 20	Up to 23	Up to 40	Up to 68	Up to 91	Up to 136	Up to 181
Cartridges	7 - 9-3/4" "Singles"	7 - 19-1/2" "Doubles"	8 - 19-1/2" "Doubles"	7 - 29-1/4" "Triples"	8 - 29-1/4" "Triples"	14 - 29-1/4" "Triples"	25 - 29-1/4" "Triples"	50 - 19-1/2" "Doubles"	50 - 29-1/4" "Triples"	100 - 19-1/2" "Doubles"

*Flow rates shown above are for guidelines only. Actual flow rates are based on cartridge type, micron rating, viscosity, solids content and a number of other factors. For complete flow and pressure drop information please refer to your cartridge manufacture guidelines.

Specifications

- ▶ **Filter Vessel/Metal Components** - 304 stainless steel, electropolished for increased resistance to corrosion
- ▶ **Holding/Lifting Rods, Standpipes and Pipe Caps** - CPVC, standard models; 304 stainless steel for All-Stainless models
- ▶ **Rim Gaskets** - EPDM, standard; Buna-N, Viton available
- ▶ **O-rings** - Buna-N, standard; EPDM, Viton available
- ▶ **Bottom Seals** - natural gum rubber, standard; EPDM, Viton available
- ▶ **Pressure** - rated for pressures to 150 PSI (10.3 bar) max
- ▶ **Temperature** - rated to 140°F (60°C) with CPVC rods, pipe caps, standpipes and standard Harmsco cartridges; to 200°F (93°C) for all stainless models with stainless steel rods, pipe caps and standpipes, and Harmsco High-Temp cartridges; temperature limits vary and depend on pressure and time under load
- ▶ **Flow** - up to 800 gpm; typical flow rates are 4-6 gpm per single length (9-3/4") Harmsco cartridge; published data is for guidelines only; please consult pressure drop charts
- ▶ **Wing Nuts** - brass; brass hex nuts, stainless steel flat washers available

Note: This publication is to be used as a guide. The data within has been obtained from many sources and is considered to be accurate. Harmsco does not assume liability for the accuracy and/or completeness of this data. Changes to the data can be made without notification. Temperature, Pressure, Flow Rates, Differential Pressures, Chemical Combinations and other unknown factors can affect performance in unknown ways. **Limited Warranty:** Harmsco warrants their products to be free of material and workmanship defects. Determination of suitability of Harmsco products for uses and applications contemplated by Buyer shall be the sole responsibility of Buyer. The end user/installer/buyer shall be liable for the product's performance and suitability regarding their specific intended applications. End users should perform their own tests to determine suitability for each application.