

Fluid-o-Tech stainless steel rotary vane pumps



The rotary vane pumps, manufactured by Fluid-o-Tech and sold worldwide under the trademark Rotoflow, are volumetric pumps designed for pumping water and aggressive liquids with low flow at high pressure.

Technical features and manufacturing characteristics

The housing and the rotor are in stainless steel AISI 303, while the pumping chamber and the vanes are in graphitic carbon.

Inlet and outlet ports are 3/8" GAS or NPT threaded. A built-in adjustable bypass to protect the pump and the system from unexpected pressure spikes is also available upon request.

The pump can be connected to direct coupling motors with a stainless steel clamp or to M71 and M80 UNELMEC or NEMA 56C frame motors with the Fluid-o-Tech coupling and adapter set.

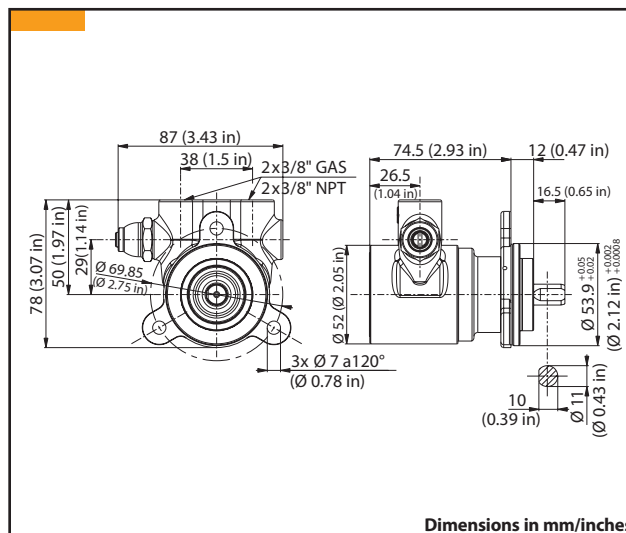
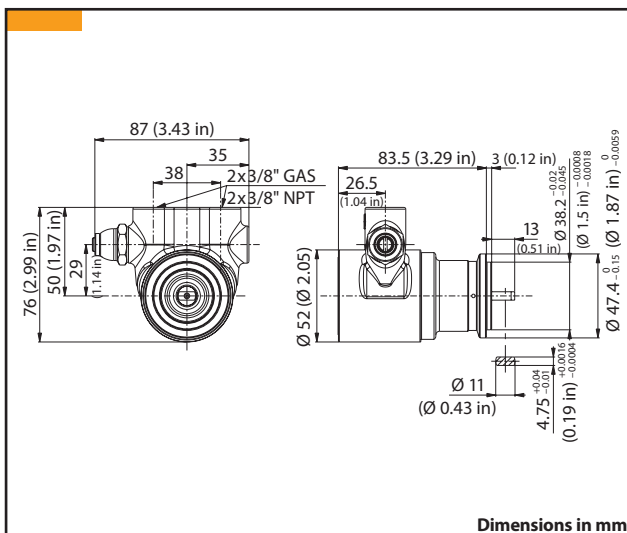
Maximum operative temperature: 70 °C (158 °F).

Available upon request:

- Viton®/EPDM seals (suffix - V/E)

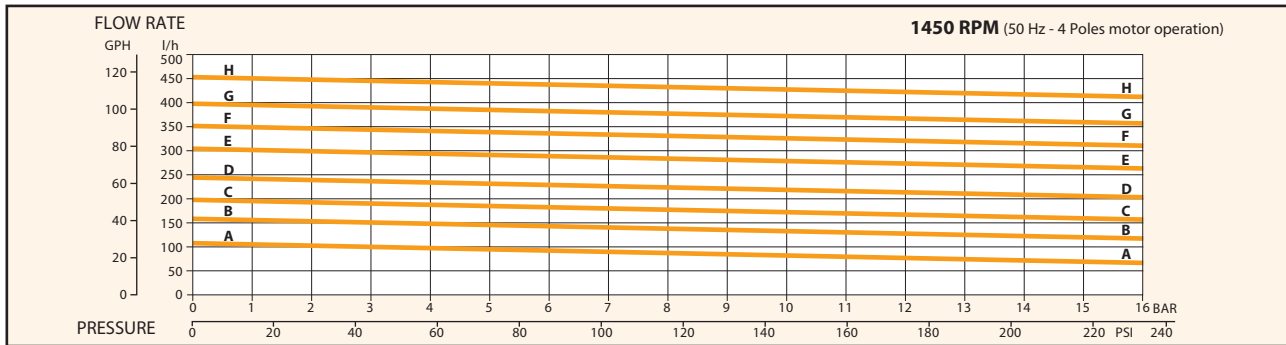
Main Applications

- Soda circulation in post mix drink dispensers
- Cooling systems
- Reverse osmosis
- Ultra-filtration
- Booster systems



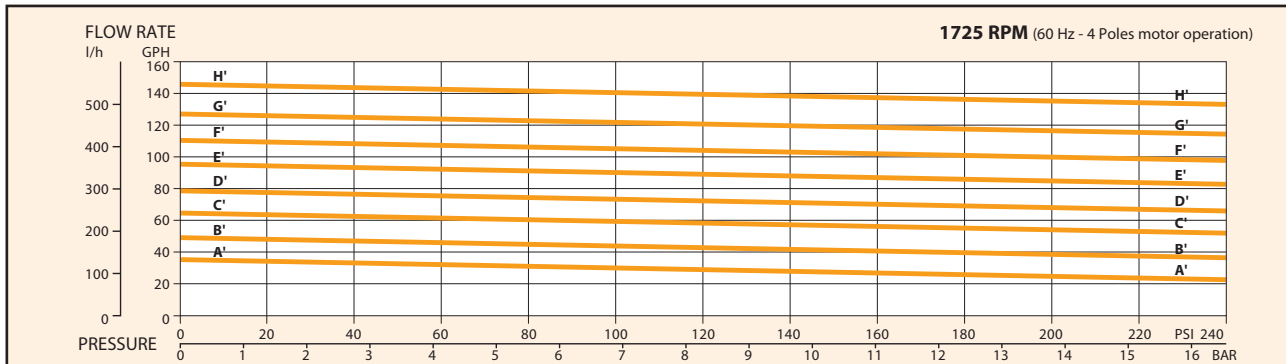
Model PO/PA	0710	0711	0711F	110	111	111F	1510	01511	1511F	210	211	211F
l/h at 2 BAR		100			150			190			236	
l/h at 7 BAR		89			139			179			225	
l/h at 14 BAR		70			120			160			206	
Figure		A-A			B-B			C-C			D-D	
Mount	Clamp	Clamp	Flange	Clamp	Clamp	Flange	Clamp	Clamp	Flange	Clamp	Clamp	Flange
Bypass	NO	YES	YES	NO	YES	YES	NO	YES	YES	NO	YES	YES

Model PO/PA	2510	2511	2511F	310	311	311F	3510	3511	3511F	410	411	411F
l/h at 2 BAR		295			345			390			445	
l/h at 7 BAR		284			334			379			434	
l/h at 14 BAR		265			315			360			415	
Figure		E-E			F-F			G-G			H-H	
Mount	Clamp	Clamp	Flange	Clamp	Clamp	Flange	Clamp	Clamp	Flange	Clamp	Clamp	Flange
Bypass	NO	YES	YES	NO	YES	YES	NO	YES	YES	NO	YES	YES



Model PO/PA	0710	0711	0711F	110	111	111F	1510	01511	1511F	210	211	211F
GPH at 20 PSI		34			49			64			78	
GPH at 100 PSI		30			45			60			74	
GPH at 200 PSI		24			39			54			68	
Figure		A'-A'			B'-B'			C'-C'			D'-D'	
Mount	Clamp	Clamp	Flange	Clamp	Clamp	Flange	Clamp	Clamp	Flange	Clamp	Clamp	Flange
Bypass	NO	YES	YES	NO	YES	YES	NO	YES	YES	NO	YES	YES

Model PO/PA	2510	2511	2511F	310	311	311F	3510	3511	3511F	410	411	411F
l/h at 2 BAR		95			111			127			144	
l/h at 7 BAR		91			107			123			140	
l/h at 14 BAR		85			101			117			134	
Figure		E'-E'			F'-F'			G'-G'			H'-H'	
Mount	Clamp	Clamp	Flange	Clamp	Clamp	Flange	Clamp	Clamp	Flange	Clamp	Clamp	Flange
Bypass	NO	YES	YES	NO	YES	YES	NO	YES	YES	NO	YES	YES



Pump weight: 900 g / 2.0 Lbs (clamp mount) 1,0 kg / 2.2 Lbs (clamp mount w/strainer) - Characteristics at constant motor speed, water at 20 °C / 68 °F and bypass blocked.
 For applications involving other fluids, high temperatures or unusual processing conditions, please consult the factory or an authorized Fluid-o-Tech distributor.