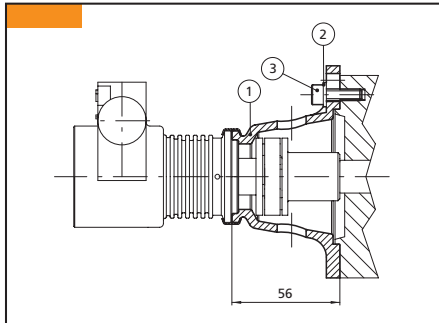
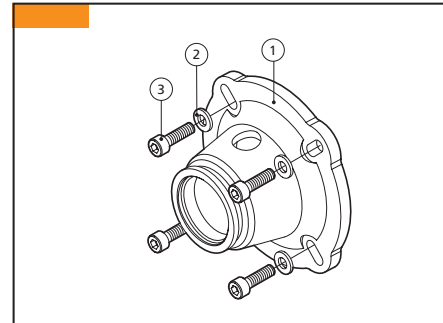
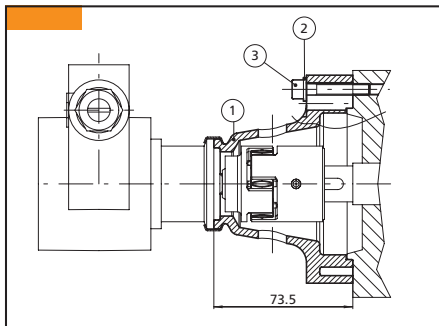
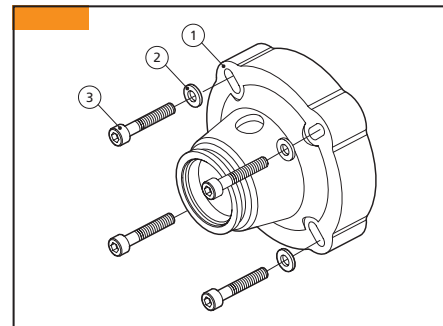


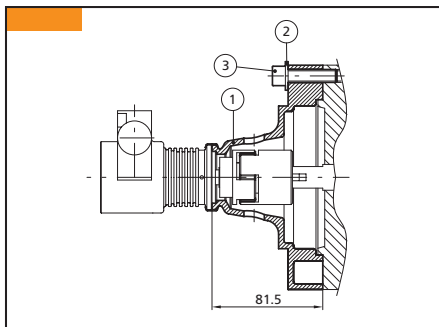
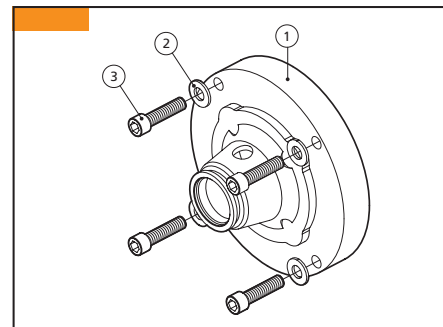
Fluid-o-Tech rotary vane pumps adapters


M71 - B14 (22361)


POS.	DESCRIPTION	MATERIAL	CODE	QUANTITY
1	ADAPTER M71 - B14	PLASTIC	22347	1
2	6 mm FLAT WASHER	STEEL	22358	4
3	SCREW T.C.E.I. M6 X 20 mm	STEEL	22359	4


M80 - B14 (28036)


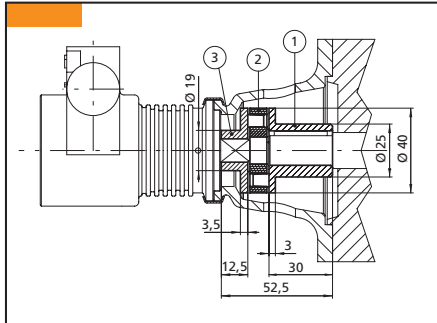
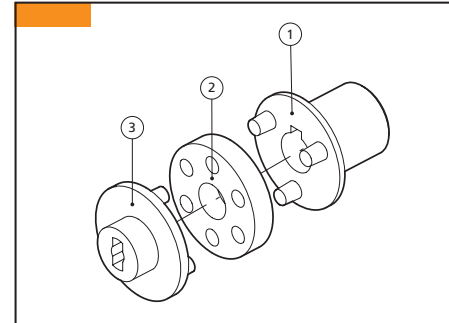
POS.	DESCRIPTION	MATERIAL	CODE	QUANTITY
1	ADAPTER M80 - B14	PLASTIC	28031	1
2	6 mm FLAT WASHER	STEEL	22358	4
3	SCREW T.C.E.I M6 X 35 mm	STEEL	28033	4


NEMA 56C (22388)


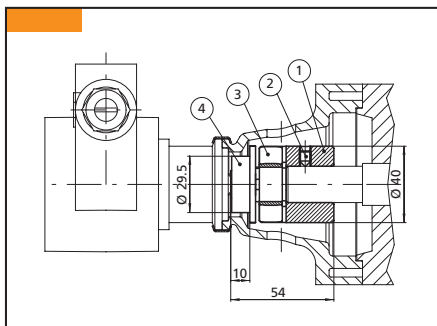
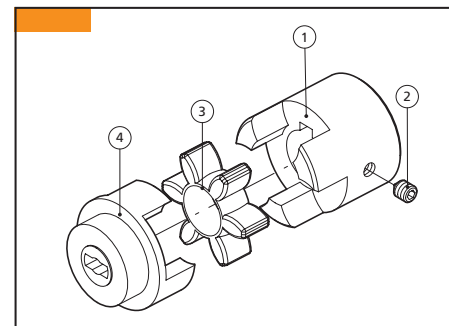
POS.	DESCRIPTION	MATERIAL	CODE	QUANTITY
1	ADAPTER FOR NEMA 56C	PLASTIC	22385	1
2	10 MM FLAT WASHER	STEEL	210903	4
3	SCREW T.C.E.I. 3/8" -16 X 1-1/2"	STEEL	22390	4

Note: Dimensions in mm

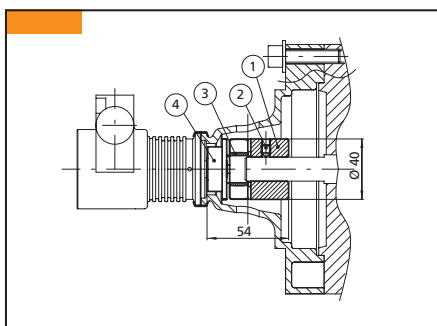
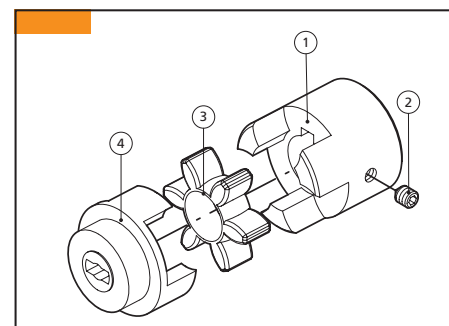
Fluid-o-Tech rotary vane pumps couplings


M71 - B14 (22350)


POS.	DESCRIPTION	MATERIAL	CODE	QUANTITY
1	COUPLING WITH 14 mm BORE	BRASS	22235	1
2	BUMPER	RUBBER	22039	1
3	COUPLING - FLAT SIDE	BRASS	22346	1


M80 - B14 (28035)


POS.	DESCRIPTION	MATERIAL	CODE	QUANTITY
1	COUPLING WITH 19 mm BORE	CAST IRON	28032/1	1
2	SET SCREW M6 X 8 mm	STEEL	28034	1
3	BUMPER	RUBBER	28032/3	1
4	COUPLING - FLAT SIDE	CAST IRON	28032/2	1


NEMA 56C (22387)


POS.	DESCRIPTION	MATERIAL	CODE	QUANTITY
1	COUPLING WITH 5/8" BORE	CAST IRON	22386/1	1
2	SET SCREW M6 X 8 mm	STEEL	90-03-05	1
3	SPIDER	RUBBER	28032/3	1
4	COUPLING - FLAT SIDE	CAST IRON	28032/2	1

Note: Dimensions in mm