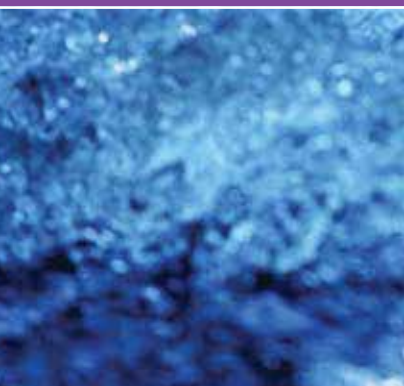
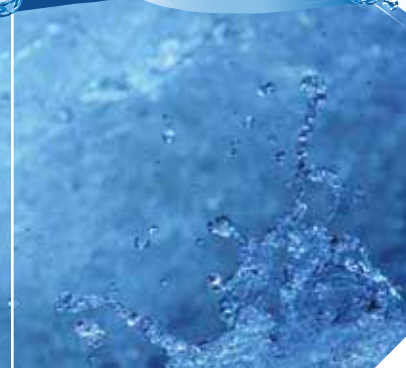


COMMERCIAL
 CONTROL
 VALVES


AquaMatic® Stager Series Valves



AquaMatic Stager Series Valves are a motor-driven rotary multiport pilot valves, which are used to control a set of individual diaphragm valves in a predefined sequence. Stagers are constructed of durable, non-corroding, self-lubricating material for long and trouble-free operation. Stagers are driven by an electric motor and are controlled by AquaMatic Programmable Controllers or Adjustable Timers. In the event of a power failure, AquaMatic Stager Series Valves can be manually advanced through all positions.

The stager functions by pressurizing and venting the control ports, allowing valves to open and close in a predefined sequence. The control pressure to the stager, either hydraulic or pneumatic, must be constant and equal to or greater than the line pressure in the system.

**COMMERCIAL
CONTROL
VALVES**

AquaMatic® Stager Series Valves

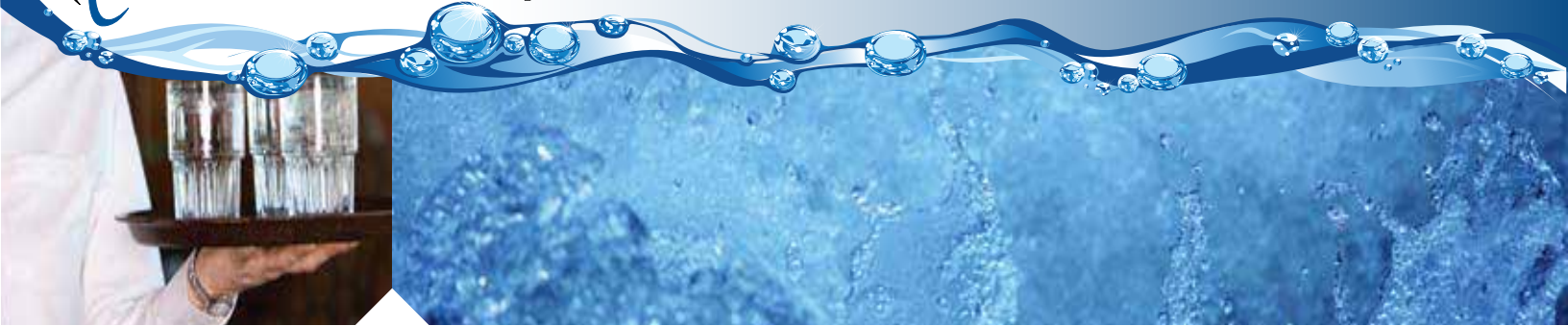
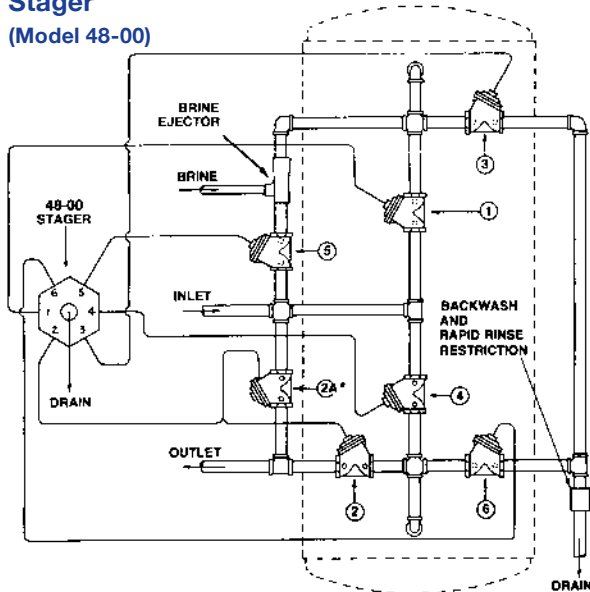
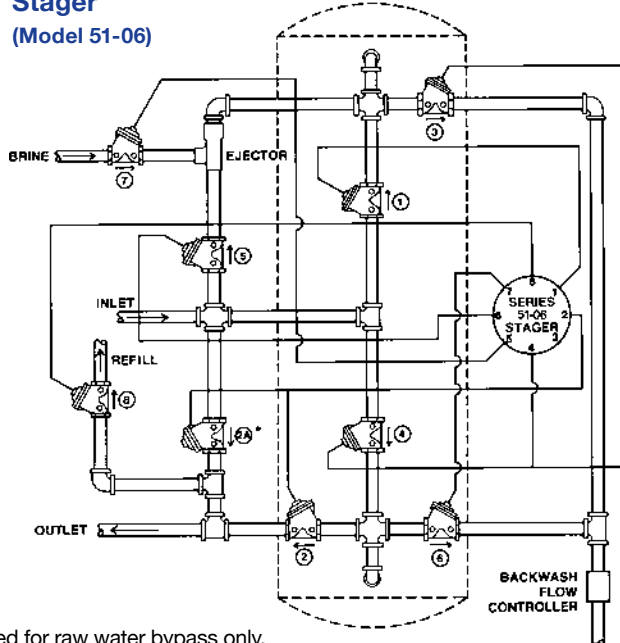


Optional Features

- Electrical** – Supplied in a NEMA-rated enclosure or without enclosure; Supplied with a maximum of two extra auxiliary cams and switches (SPDT) for electrical outputs in any position. Stagers are available for use in 120 VAC, 220 VAC, 12 VAC and 24 VAC configurations.
- Hydraulic/Pneumatic** – Standard stagers are designed to operate normally open (pressure to close) valves. Optional stagers can be supplied with an inverted program to operate normally closed (pressure to open) valves.

Operating Specifications

	Stager Series		
	Model 48	Model 51	Model 58
Maximum Pressure	125 psi (8.6 bar)	125 psi (8.6 bar)	125 psi (8.6 bar)
Maximum Temperature	150°F (65°C)	150°F (65°C)	150°F (65°C)
Body Material	Brass	Brass	PVC
Internal Gasket	Neoprene	Neoprene	Neoprene
Stem Plate	PTFE	PTFE	PTFE
Number of Control Ports	6	8	16
Inlet Port Size NPT	1/8-inch	1/8-inch	1/4-inch
Drain Port Size NPT	1/8-inch	1/8-inch	1/4-inch
Control Port Size NPT	1/8-inch	1/8-inch	1/8-inch
Power Usage in Watts	4.0 Max.	4.0 Max.	3.5 Max.


Stager
 (Model 48-00)

Stager
 (Model 51-06)


*Valve 2A required for raw water bypass only.

Stager Designation	Number of Position	Application	Suggested Piping Dwg.
48-00	4	4 Position Softener	1078271
48-01	3	3 Position Filter	1078272
48-83	4	3 Tank Sequential Filter, Backwash Only	1078276
48-84	5	4 Tank Sequential Filter, Backwash Only	1078277
48-85	6	5 Tank Sequential Filter, Backwash Only	1078278
51-06	6	6 Position Softener, Timed Brine and Refill	1078279
51-07	5	5 Position Softener, Timed Brine	1078280
51-09	5	5 Position Softener, Timed Brine Refill	1078281
51-10	5	2 Tank Sequential Filter, Backwash and Rinse	1078282
51-86	7	6 Tank Sequential Filter, Backwash Only	1078286
51-87	8	7 Tank Sequential Filter, Backwash Only	1078287
58-00	9	2 Bed Deionization	1078290
58-02	9	2 Bed Deionization with De-Gasifier	1078291
58-03	7	3 Tank Sequential Filter, Backwash and Rinse	1078288
58-04	8	4 Tank Sequential Filter, Backwash and Rinse	1078289
58-10	10	Mixed Bed Deionization	1078292
58-TA	8	Two Tank Alternating Softeners	1078293
58-TB	10	Two Tank Alternating Softeners, with Timed Brine	1078294