

# SJE Rhombus

## Accessories Installation Instructions

Cord Seal, Cable Weight, Cable Clamp Assembly and Float Bracket.

### CORD SEAL



Provides strain relief and a liquid-tight seal.

- Seals 1-3 cables in 2" terminal adapters
- 2 PVC plugs included (for unused cable positions)
- Ground wire

### CABLE WEIGHT



Provides an accurate pivot point for suspended float switches.

- Gripper teeth on clip and weight channel securely lock float cable into place
- Cable Weight can be adjusted without the use of tools

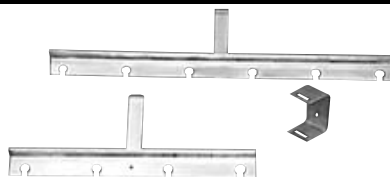
### CABLE CLAMP ASSEMBLY



Provides cable anchor point and strain relief. Secures cable in vertical direction.

- For use with 18/16 gauge, 14 gauge, & 12 gauge cable.
- Mounting clamp: ABS Nylon blend
- Hose clamp: highly corrosion resistant stainless steel

### FLOAT BRACKET



Provides convenient installation of float switches.

- Six Float Bracket supports 1-6 floats
- Four Float Bracket supports 1-4 floats
- Can be used directly mounted to wall or used with wall mounting device
- Provides convenient location to stow excess float cord
- Supplied with cord strain relief connectors

### PREVENTATIVE MAINTENANCE

- Periodically inspect the product. Check that the cable has not become worn or that the housing has not been damaged so as to impair the protection of the product. Replace the product immediately if any damage is found or suspected.
- Periodically check to see that the float is free to move and operate the switch.
- Use only SJE Rhombus® replacement parts.

**⚠ WARNING**

**ELECTRICAL SHOCK HAZARD**

Disconnect power before installing or servicing this product. A qualified service person must install and service this product according to applicable electrical and plumbing codes.

**⚠ WARNING**

**EXPLOSION OR FIRE HAZARD**

Do not use this product with flammable liquids. Do not install in hazardous locations as defined by National Electrical Code, ANSI/NFPA 70.

Failure to follow these precautions could result in serious injury or death. Replace product immediately if switch cable becomes damaged or severed. Keep these instructions with warranty after installation. This product must be installed in accordance with National Electric Code, ANSI/NFPA 70 so as to prevent moisture from entering or accumulating within boxes, conduit bodies, fittings, float housing, or cable.

**CORD SEAL INSTALL**

1. Pass the cables through the 2" terminal adaptor.
2. With the three position cord seal, route cables through the seal, leaving adequate cable to work with.  
**NOTE: If three cords are not used, plug open position(s) in the cord seal with the PVC plug(s) provided.**
3. Insert the cord seal into the terminal adaptor and tighten hex nut until adequate strain relief is achieved.
4. Gather all ground wires, including ground conductor on the cord seal and secure to ground terminal.

**CABLE WEIGHT INSTALL**

1. Lay cable in weight as shown in Figure B.
2. Align clip with weight groove and slide clip towardss cable as shown in Figure B. Snap clip snugly up to tightest possible position.
3. See Figure C for proper tether length.

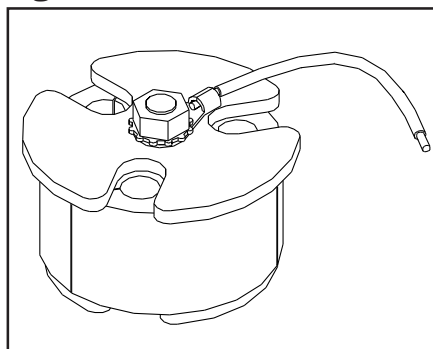
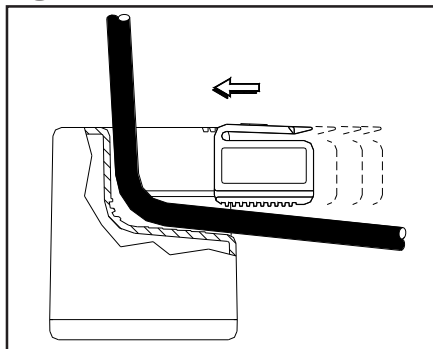
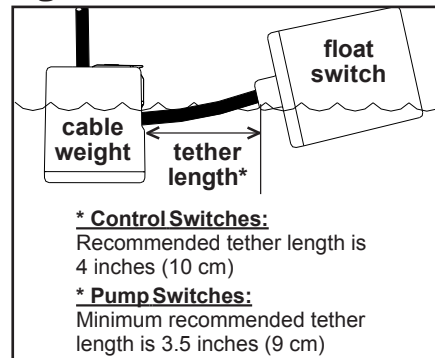
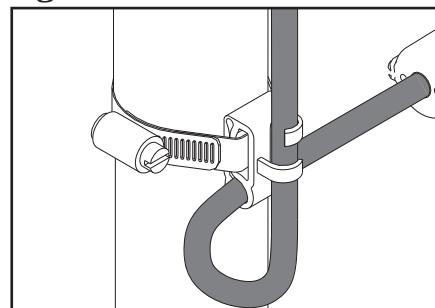
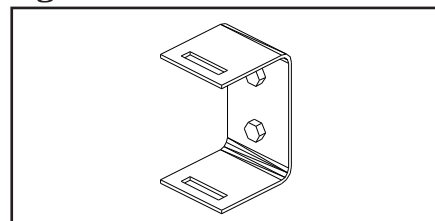
**CABLE CLAMP INSTALL**

1. Determin the required cord tether length according to product specifications.
2. Place the cord into the clamp as shown in Figure D.
3. Locate clamp at desired activation level and secure the clamp to the discharge pipe as shown in Figure D.  
**NOTE: Do not install cord under hose clamp.**
4. Tighten the hose clamp using a screwdriver. Over tightening may result in damage to the plastic clamp. Make sure the float cable is not allowed to touch the excess hose clamp band during operation.
5. Wire switch as shown in the Wiring Diagrams.
6. Check installation. Allow system to cycle to insure proper operation.

**Note:** All hose clamp components are made of 18-8 stainless steel material. See your SJE-Rhombus® supplier for replacements.

**FLOAT BRACKET INSTALL**

1. Drill holes in mounting surface 1-5/16 inches apart.
2. Install float bracket mounting device as shown in Figure E.  
**NOTE: Use stainless steel fasteners appropriate for the mounting surface.**
3. Determine float switch cord length to hang into tank to achieve proper activation level.
4. Install float switch cords to float bracket using strain relief connectors as shown in Figure F.
5. Install float bracket into float bracket mounting device while stowing excess cable as shown in Figure F.

**Figure A**

**Figure B**

**Figure C**

**Figure D**

**Figure E**

**Figure F**
