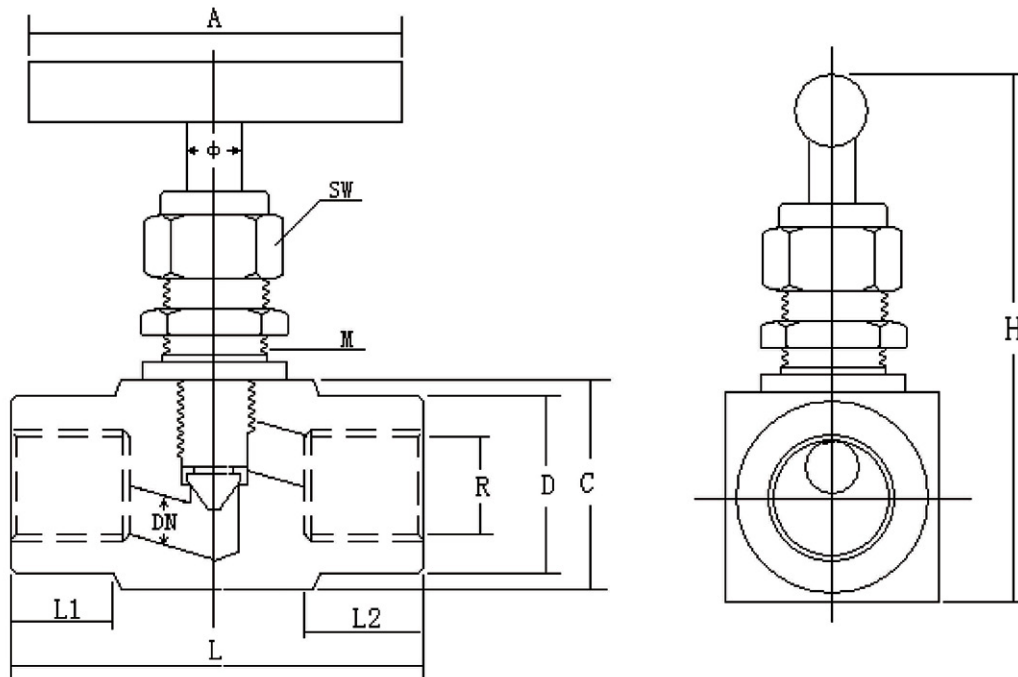



EWP

Environmental World Products

STAINLESS STEEL NEEDLE VALVES

18", 1/4", 1/2", 3/4", or 1" FNPT Connections
 6000 PSI Rating
 Panel Mount



R	DN inches	ϕ inches	A inches	C inches	D inches	M inches	SW mm	L1 inches	L2 inches	L inches	H inches
1/8" NPT	0.12	0.20	1.89	0.79	0.71	0.55	17	0.39	0.47	1.97	2.56 - 2.95
1/4" NPT	0.16	0.24	2.13	0.95	0.87	0.63	19	0.47	0.59	2.20	2.95 - 3.35
1/2" NPT	0.31	0.31	2.28	1.26	1.18	0.79	24	0.59	0.71	2.52	3.30 - 3.78
3/4" NPT	0.35	0.31	2.44	1.42	1.34	0.79	24	0.59	0.77	2.60	3.46 - 3.94
1" NPT	0.47	0.39	2.60	1.73	1.65	0.95	27	0.59	0.87	2.83	3.70 - 4.17

Needle Valve	Material	
6000 PSI -60° F - 400° F	Valve Body	316SS
	Valve Stem	316SS
	Needle	316SS
	Gland Nut	316SS
	Filing Material	PTFE
	Check Nut	304SS
	Handle	304SS

Flow Data	Cv value	Full Flow GPM
1/8" NPT		
1/4" NPT		
1/2" NPT	1.05	9
3/4" NPT	1.28	11
1" NPT	2.09	18