


**EWP**

## Environmental World Products

### IN-LINE FLOW METERS

Range - from 1 GPM to 200 GPM

Maximum Pressure - 150 PSI

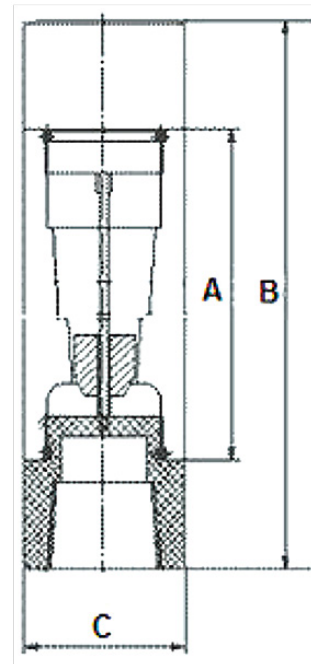
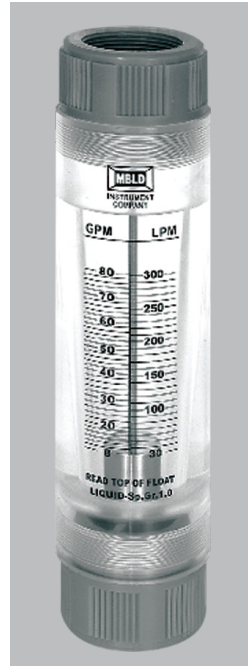
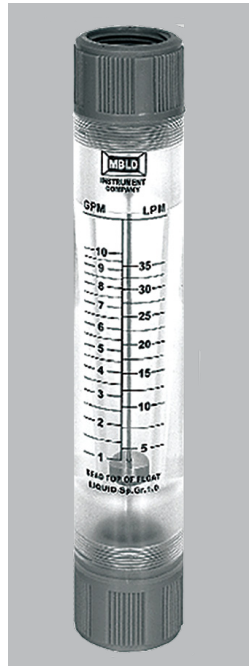
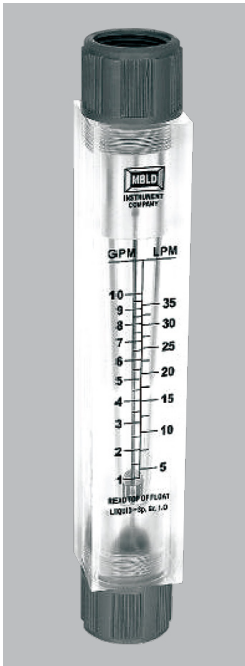
Maximum Temperature - 176° F

Body Material - Lucite

Float Material - 316L SST

Guide Rod Material - 316L SST

Connection Type - NPT



In-Line Flow Meters					
Model	GPM	Connection	A	B	C
LZT-1001-G	0.1 - 1.0	3/8" NPT	6.30	8.30	1.25
LZT-1002-G	0.2 - 2.0	1/2" NPT	6.30	8.30	1.25
LZT-1005-G	0.5 - 5.0	1/2" NPT	6.30	8.30	1.25
LZT-2510-G-S	1 - 10	1" NPT	9.00	11.60	1.75
LZT-2520-G-S	2 - 20	1" NPT	9.00	11.60	1.75
LZT-4004-G-S	4 - 40	1-1/2" NPT	9.05	11.90	2.70
LZT-4006-G-S	6 - 60	1-1/2" NPT	9.05	11.90	2.70
LZT-4008-G-S	8 - 80	1-1/2" NPT	9.05	11.90	2.70
LZT-4010-G-S	10 - 100	1-1/2" NPT	9.05	11.90	2.70
LZT-5015-G	50 - 150	2" NPT	12.20	15.00	3.75
LZT-5020-G	40 - 200	2-1/2" NPT	12.20	15.00	3.75